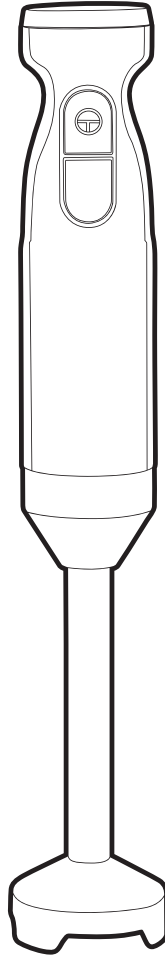
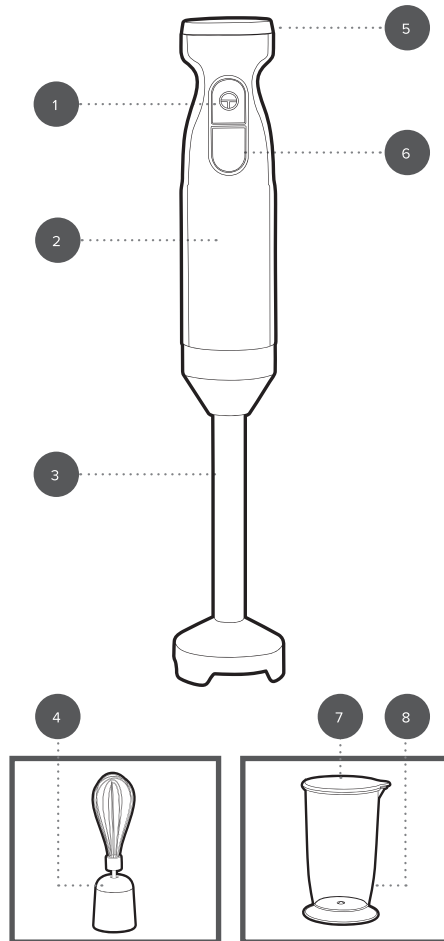


# User manual

Hand blender set



## Description of parts



1. Power button
2. Blender main unit
3. Blender attachment
4. Whisk attachment
5. Variable speed dial

6. Turbo button
7. Storage lid
8. 700 ml beaker

Please retain instructions for future reference.

## **SAFETY INSTRUCTIONS**

- When using electrical appliances, basic safety precautions should always be followed.
- Check that the voltage indicated on the rating plate corresponds with that of the local network before connecting the appliance to the mains power supply.
- This appliance can be used by children aged from 8 years and above and persons with reduced physical, sensory or mental capabilities and knowledge, if they have been supervised/instructed and understand the hazards involved.
- Children shall not play with the appliance.
- Children should not perform cleaning or user maintenance, unless they are older than 8 and supervised.
- This appliance is not a toy.
- If the power supply cord, plug or any part of the appliance is malfunctioning or if it has been dropped or damaged, cease using the product immediately to avoid potential injury.
- This appliance contains no user serviceable parts, only a qualified electrician should carry out repairs. Improper repairs may place the user at risk of harm.
- Keep the appliance and its power supply cord out of the reach of children.
- Keep the appliance out of the reach of children when it is switched on or cooling down.
- Keep the appliance and its power supply cord away from heat or sharp edges that could cause damage.
- Keep the power supply cord away from any parts of the appliance that may become hot during use.
- Keep the appliance away from other heat emitting appliances.
- Do not allow the power supply cord to hang over worktops, touch hot surfaces or become twisted.
- Do not immerse the electrical components of this appliance in water or any other liquid.
- Do not operate the appliance with wet hands or if any connections are wet.
- If this appliance falls or accidentally becomes immersed in water, unplug it from the wall outlet immediately. Do not reach into the water.
- Do not leave the appliance unattended whilst connected to the mains power supply.
- Do not remove the appliance from the mains power supply by pulling the cord; switch it off and remove the plug by hand.
- Do not pull or carry the appliance by its power supply cord.
- Do not use the appliance for anything other than its intended use.
- Do not use any accessories other than those supplied.
- Do not use any damaged accessories.
- Do not use this appliance outdoors.

- Do not store the appliance in direct sunlight or in high humidity conditions.
- Do not move the appliance whilst it is in use.
- Do not touch any moving parts on this appliance during use, as this could cause injury.
- Do not touch any sections of the appliance that may become hot during use, as this could cause injury.
- Always unplug the appliance after use and ensure it has cooled fully before any cleaning, user maintenance or storing away.
- Always use the appliance on a stable, heat-resistant surface, at a height that is comfortable for the user.
- Use of an extension cord with the appliance is not recommended.
- This appliance should not be operated by means of an external timer or separate remote control system.
- This appliance is intended for domestic use only. It should not be used for commercial purposes.



**WARNING:** Do not touch sharp blades.



**CAUTION:** Keep hands, fingers, hair and any loose clothing away from the rotating tools of the appliance.

## Do's and don't's

### DO:

Switch off the appliance and disconnect it from the mains power supply before changing or fitting accessories.

### DO NOT:

Blend very hot or boiling liquid, as this may cause injury.

Touch any moving parts on the appliance during use, as this could cause injury.

Overload the appliance as the mixture level may rise during blending.

## Care and maintenance

**STEP 1:** Switch off and unplug the blender from the mains power supply before performing any cleaning or user maintenance.

**STEP 2:** Wipe the blender main unit with a soft, damp cloth and allow to dry thoroughly.

**STEP 3:** Wash all of the accessories in warm, soapy water, then rinse and dry thoroughly.

Never touch the blending blades; using extreme caution, clean the blades with a brush and dry carefully.

Do not immerse the blender main unit in water or any other liquid.

Do not use harsh or abrasive detergents or scourers to clean the blender, as this could cause damage.

The blender is not suitable for use in a dishwasher.



**NOTE:** The blender should be cleaned after every use.



**WARNING:** Handle the attachments with care as the blades are sharp. Exercise caution when attaching, removing, cleaning or storing the attachments.

## Instructions for use

### Before first use

Clean the blender main unit and the attachments following the instructions in the section entitled 'Care and maintenance'.



**NOTE:** When using the blender for the first time, a slight odour may be emitted. This is normal and will soon subside. Allow for sufficient ventilation around the blender.

### Using the blender

All attachments must be securely fitted before use; do not attempt to remove them until the attachment has stopped moving.



**NOTE:** Whilst mixing liquid, especially hot liquid, use a tall container or whisk small quantities at a time to reduce spillage, splattering and the possibility of injury from scalding. Do not use the whisk with the beaker accessory.



**WARNING:** Do not whisk/blend for long periods of time. Max. operation time is 30 seconds; allow the blender to cool for approx. 2 minutes before using it again.

When placing food into the mixing bowl, take care not to overfill it in order to avoid spillages.

### With the whisk attachment

The whisk attachment is ideal for mixing light ingredients, such as egg whites, cream and instant desserts. It is not suitable for mixing heavier ingredients such as margarine and sugar, as this may cause damage to the blender.

**STEP 1:** Before connecting the blender to the mains power supply, carefully attach the whisk attachment by pushing it onto the blender main unit and turning in an anticlockwise direction until it locks into place.

**STEP 2:** Place the ingredients to be whisked into a mixing bowl, then plug in and switch on the blender at the mains power supply.

**STEP 3:** Insert the whisk attachment into the mixing bowl. Turn the variable speed dial to the desired speed setting, then press and hold the power button to begin whisking. The turbo button activates the highest speed setting for as long as it is pressed.

**STEP 4:** Slowly rotate the whisk attachment in a clockwise direction to avoid splashing. Make sure the ingredients do not rise above the whisk attachment wires. Release the power or turbo button once whisking is complete.

**STEP 5:** After use, switch off and unplug the blender at the mains power supply, then remove the whisk attachment from the blender main unit by turning it in a clockwise direction.

### With the blender attachment

The blender attachment is ideal for blending or mashing cooked vegetables, such as potatoes or carrots. It is not suitable for blending hard or uncooked foods, as this may cause damage to the blender.

**STEP 1:** Before connecting the blender to the mains power supply, carefully attach the blender attachment by pushing it onto the blender main unit and turning in an anticlockwise direction until it locks into place.

**STEP 2:** Place the ingredients to be blended into the 700 ml beaker, then plug in and switch on the blender at the mains power supply.

**STEP 3:** Insert the blender attachment into the 700 ml beaker. Turn the variable speed dial to the desired speed setting, then press and hold the power button to begin blending.

**STEP 4:** Slowly move the blender attachment up and down to blend the ingredients evenly. Release the power or turbo button once blending is complete.

**STEP 5:** After use, switch off and unplug the blender at the mains power supply, then remove the blender attachment from the attachment holder by turning it in a clockwise direction.

## Troubleshooting

Problem	Possible cause	Solution
The blender will not operate.	The blender is not connected to the mains power supply.	Plug in and switch on the blender at the mains power supply.
The blades will not move when in contact with ingredients.	The ingredients are hard vegetables, such as potato, carrot and turnip, making it difficult for the blender to blend.	Only blend ingredients such as cooked vegetables or soft fruit.

## Storage

Reassemble the blender.

Check that the blender is cool, clean and dry before storing in a cool, dry place.

Never wrap the cord tightly around the blender; wrap it loosely to avoid causing damage.

## Specifications

Product code: EK4587

Input: 220–240 V ~ 50/60 Hz

Output: 1000 W

## Notes

UK  
CA CE

**Disposal of Waste Batteries and Electrical and Electronic Equipment**



This symbol on the product, its batteries or its packaging means that this product and any batteries it contains must not be disposed of with household waste. Instead, it is the user's responsibility to hand this over to an applicable collection point for the recycling of batteries and electrical and electronic equipment. This separate collection and recycling will help to conserve natural resources and prevent potential negative consequences for human health and the environment due to the possible presence of hazardous substances in batteries and electrical and electronic equipment, which could be caused by inappropriate disposal. Some retailers provide take-back services which allow the user to return exhausted equipment for appropriate disposal. **It is the user's responsibility to delete any data on electrical and electronic equipment prior to disposal.** For more information about where to drop batteries, electrical and electronic waste off, please contact the local city/municipality office, household waste disposal service, or the retailer.

Manufactured by:  
Ultimate Products UK Ltd.,  
Victoria Street, Manchester OL9 0DD. **UK.**  
Ultimate Products Europe Ltd.,  
19 Baggot Street Lower, Dublin D02 X658. **ROI.**

**MADE IN CHINA.**

CD170521/MD070324/V1